

**Q&A Equipment Sales and Rentals**



## ***KYMRON XTL30***

**XTL30 Skid Steer W / Auxiliary Hydraulics**

**KYMRON XTL30 Skid Steer works great in tight spaces, with tons of attachments**

***Steve Hibner***

*Steve@qandaequipment.com*

*Brad @ (270) 816-9655*

*Steve @ (270) 816-4445*

*Rob @ (270) 210-2804*

*Tevin @ (270) 519-5286*

*JP @ (270) 556-3548*

*Jim @ (270) 519-7017*

2024 XTL30 KYMRON Mini Track Skid loader. This Skid Steer has a proven Perkins or Kubota Diesel and Auxiliary Hydraulics. The XTL30 comes in different color options. Give us a call for up-to-date inventory.

The advantage of KYMRON machines is our exclusive design which is set up to allow big name brand Hydraulic Pumps, Drives and Motors to be installed as direct replacements on our machinery.

**Included:**

- 1-Year Powertrain Warranty
- 27 HP Perkins or Kubota Diesel engine
- Engine oil cooler radiator
- Bright LED work Lights
- Extra-large hydraulic oil cooler radiator
- ITALIAN Hansa Triple pump System
- 12V outlet for accessories
- Danfoss drive motors
- 3,800 lbs. Operating Weight
- Max lifting power of 2,800 lbs.
- 1,350 Lbs. operating load
- 18GPM drive motor flow rate
- Auxiliary Hydraulics 12.2 GPM
- Top speed 6.6 MPH
- Quick Attach System for all Mini Attachments
- 44" Smooth Bucket
- Soft Suspension Standing Platform
  
- Max. Working Height 96"
- Max. Dumping Height 64"
- Dumping Distance 24.2"
- Total Height boom up 64"
- The Height From the Ground 11.5"
- Length without Bucket 86.6"
- Total Width 42"
- Bucket Width 44"
- Total Length(L) (with bucket) 108"
- Cycle Time(s) (Raise 3.89) (Dump 1.6) (Lower 3.35)
- Hydraulic operating pressure 2,900 PSI

ALL DINGO MINI SKID STEERE ATTACHMENTS ON THE MARKET FIT THIS MACHINE!

**Towing Requirements**

- 3/4 – Ton truck or larger, with a towing capacity of at least 10,000 lbs.
- A 2-5/16” trailer hitch ball is required to tow this equipment.
- The MAX SPEED to tow this equipment is 55 MPH.
- Fuel TYPE- Diesel fuel only.
- Equipment weight: 3,800 lbs.

**Additional Manual**

You must be 21 yrs, of age to rent this equipment and have proof of insurance.

Available to tow using ONLY ¾ ton truck or above.

Must be return clean. Cleaning fee for this equipment is \$200.00

Fueling charge will be incurred if fuel is not full.

**Rates for Rentals**

24 Hour Rate

\$315.00

Weekly Rate (7 Days)

\$1,025.00

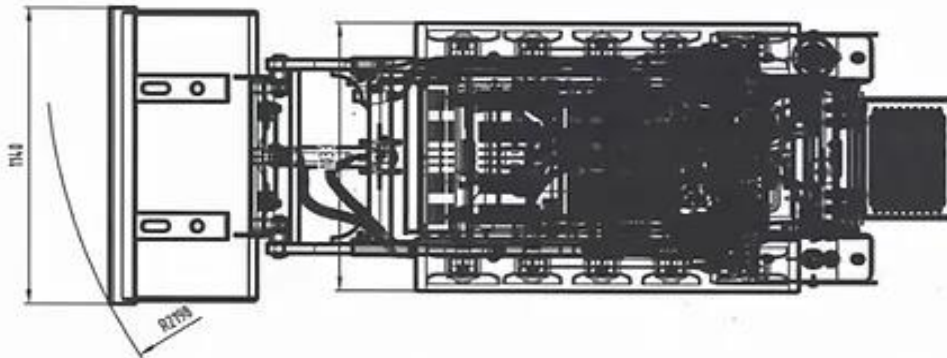
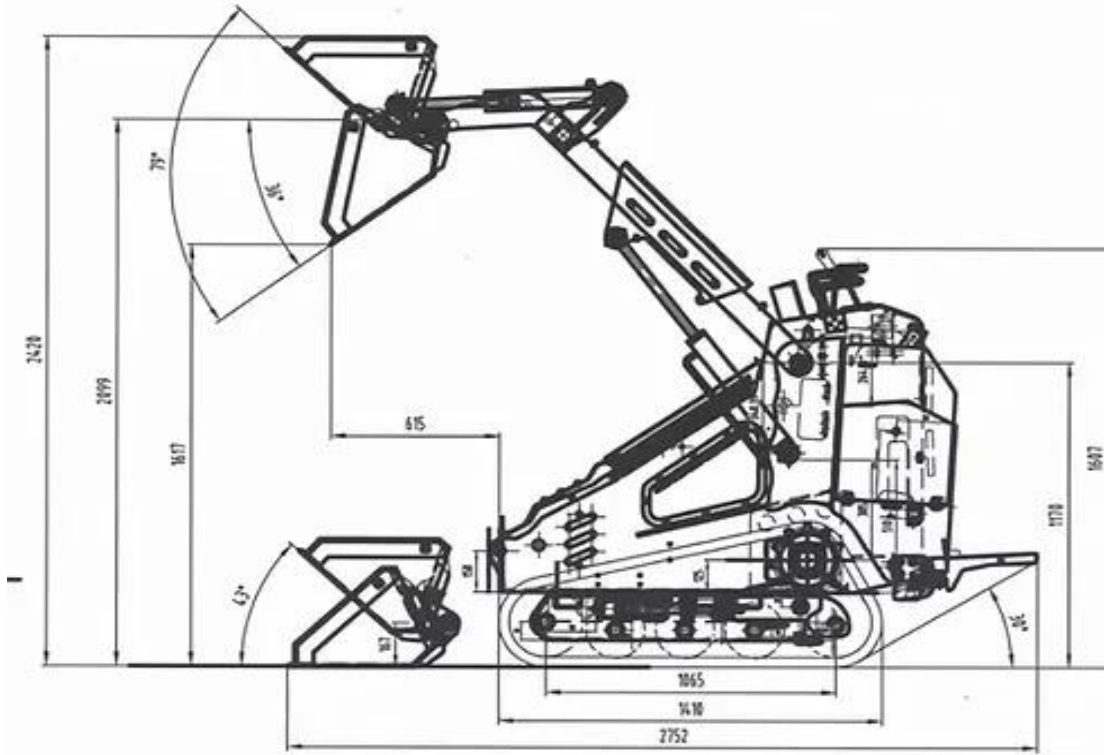
4 Week Rate (28 Days)

\$2,114.00

**Prepayment Amount**

\$500.00

**Each day run time is 8 - hours. Any run time over 8 hours will be considered an additional day's rent.**



## **Q&A EQUIPMENT SALES & RENTALS**

3515 Clarks River Rd  
Paduach, Ky 42003

[Brad@qandaequipment.com](mailto:Brad@qandaequipment.com)  
[steve@qandaequipment.com](mailto:steve@qandaequipment.com)