

## *Q&A Equipment Sales and Rentals*



# *KYMRON XH22D*

## **ZERO TAIL SWING COMPACT EXCAVATOR**

**KYMRON'S XH22D has a zero-tail swing that give you need to work in those tight spaces.**

***Steve Hibner***

*Steve@qandaequipment.com*

*Brad @ (270) 816-9655*

*Steve @ (270) 816-4445*

*Rob @ (270) 210-2804*

*Tevin @ (270) 519-5286*

*JP @ (270) 556-3548*

*Jim @ (270) 519-7017*

2024 KYMRON XH22D Mini Track Excavator. This excavator has a 24 HP Kubota D902 diesel engine and a hydraulic oil cooler along with several upgrades including an Eaton swing motor, a heavy-duty hydraulic thumb, and a nice captain's chair with pilot control system which allows for smooth operation and a high level of comfort and visibility. The hydraulic thumb feature is operated by the foot pedal, which allows you to keep your hands on the control sticks at all times. This top-notch machine weighs in at approximately 2 Tons and can lift around 2,000 Lbs. The XH22D comes in different color options. Give us a call for up-to-date inventory.

This XH22 also includes the factory installed plunger pump for more power and smoother operation.

The advantage of KYMRON machines is our exclusive design which is set up to allow name brand Hydraulic Pumps, Drives and Motors from Parker USA and Eaton USA to be installed as direct replacements on our machinery.

**Included:**

- 2-Year Powertrain Warranty
- 4045 lbs. Operating Weight w/ Rubber Tracks
- around 2,000Lbs lifting compacity
- 24 HP Kubota D902 EPA4 Diesel Engine
- Upgraded Plunger Pump
- Upgraded Drive Motors
- Upgraded Eaton Swing Motor
- 16" Bucket w/ Side Skirts and Teeth
- 4-Post ROPS
- Hydraulic Thumb\*\*\*
- Hydraulic Joystick
- Hydraulic Tension Wheel
- Auxiliary Hydraulics
- Push Blade
- Glow Plugs
- Canopy
- Digital Hour Meter
- Hydraulic flow 11.8 GPM
- LCD Display
- Operator Manual

**Dimensions:**

- Total Height: 7' 7"
- Total Width: 43"
- Cab Width: 39"
- Track Width: 9"
- Track Length: 57"

**Towing Requirements**

- 3/4 – Ton truck or larger, with a towing capacity of at least 10,000 lbs.
- A 2-5/16” trailer hitch ball is required to tow this equipment.
- The MAX SPEED to tow this equipment is 55 MPH.
- Fuel TYPE- Diesel fuel only.
- Equipment weight: 4045 lbs.

**Additional Manual**

You must be 21 yrs, of age to rent this equipment and have proof of insurance.

Available to tow using ONLY ¾ ton truck or above.

Must be return clean. Cleaning fee for this equipment is \$200.00

Fueling charge will be incurred if fuel is not full.

**Rates for Rentals**

24 Hour Rate

\$275.00

Weekly Rate (7 Days)

\$850.00

4 Week Rate (28 Days)

\$2,500.00

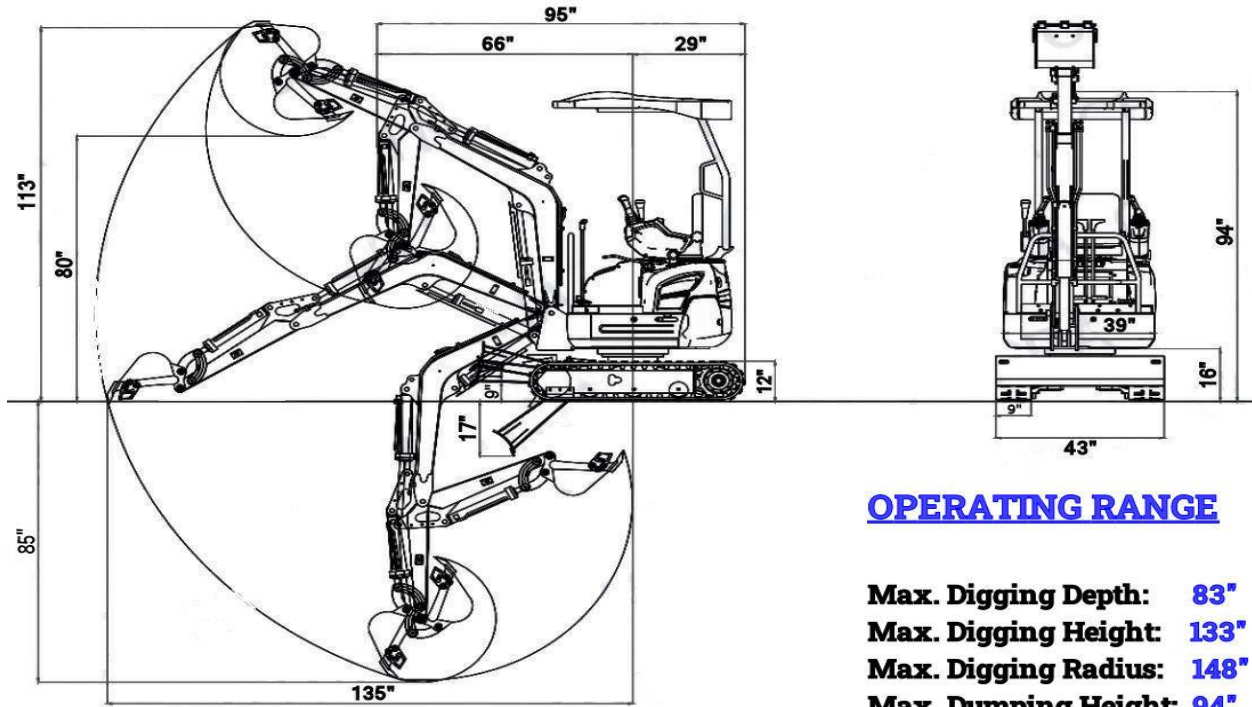
**Prepayment Amount**

\$500.00

**Each day run time is 8 - hours. Any run time over 8 hours will be considered an additional day's rent.**

**Specifications:**

- Max. Digging Depth: 7' 1"
- Max. Digging Height: 11'
- Max. Digging Radius: 12' 4"
- Max. Dumping Height: 7' 10"



**OPERATING RANGE**

- Max. Digging Depth: 83"**
- Max. Digging Height: 133"**
- Max. Digging Radius: 148"**
- Max. Dumping Height: 94"**

**Q&A EQUIPMENT SALES & RENTALS**

3515 Clarks River Rd  
Paduach, Ky 42003

[Brad@qandaequipment.com](mailto:Brad@qandaequipment.com)  
[steve@qandaequipment.com](mailto:steve@qandaequipment.com)